

LED Multiple Recessed Luminaire

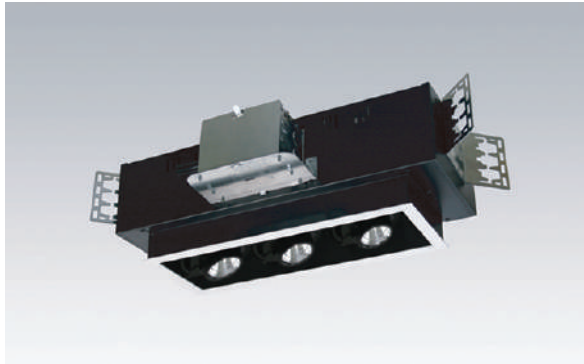
M-Series MCLD



Catalog #		Type
Project		Date
Prepared by		

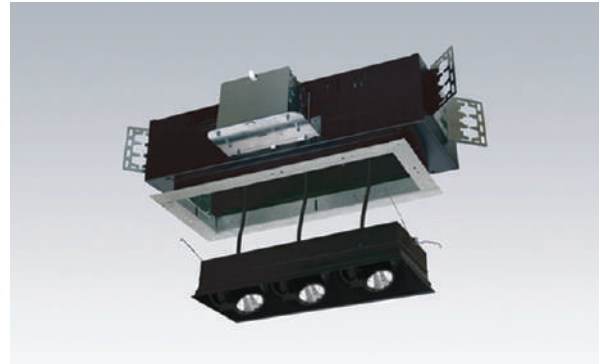
1, 2, 3 or 4 lights 30W & 40W LED

ACCENT MULTIPLE LIGHTS WITH HIGH WATTAGE LED MODULES



Finish : ■ Black
 ■ Silver
 □ White

■ 0.75" Trim Flange



■ Trimless

DESCRIPTION

The Multiple Cluster LED Recessed MCLD[®] Downlight is a family of MCLD series and designed by higher advanced LED technology. All of MCLD[®] features are provided with high end product and energy efficiency of the new LED source. M-series MCLD are offered in new construction with 1 to 4 lamp version. Equivalent to MCLD PAR30 / MR16 size housing.

FEATURES and FUNCTIONS

Housing

- Non-IC rated new construction housing available in single lamp through 4 lamps models.
- Designed for easier accessible from below ceiling.

Trim

- Die casting powder coated trim and 0.75" overlap trim flange around the ceiling opening.

Trimless

- provide adjustable perforated mesh on trimless muddy frames in drywall/plaster ceilings by allowing the ceiling's mudding component to be apply

Junction Box

- Listed, through branch circuit wiring [max.8 No 12AWG 90°C Branch circuit conductors(4in, 4out)]

LED Engine

- 1,2,3 or 4 -30W and 40W LED heads in 2700K~5000K color temp. Mounted on heat sink and adjustable lampholder up to 45 length x 45 width, and lock in position for the spot light into multiple directions. Color rendering index of 80 with color consistency over time.

Thermal Protector

- Dedicated Self resetting thermal detector for each 120V and 277V option on J-box deactivates fixture if overheating occurs due to improper lamping or mis-applied insulation. Install varied detectors according to input voltages.

LED Power Supply Driver

- High efficiency driver more than 90% power factor for universal 120V~277V 60Hz 0~10V dimmable driver. Installed on junction box door for easy access below ceiling. Meets UL class 2, FCC47CFR class B compliant.

Mounting

- New constructed mounting with channel bracket kit provides 5" vertical adjustment accommodates 1/2" EMT conduit, optional HB-24 or HBC-24 bar hanger or lathing channels for T-bar grid or concealed with spline ceiling.

Listing

- CSA-us Certificated
- State of california Title 24
- Energy star Approved & Listed

Warranty

- 5years of lamp life.

LED Multiple Recessed Luminaire

M-Series MCLD

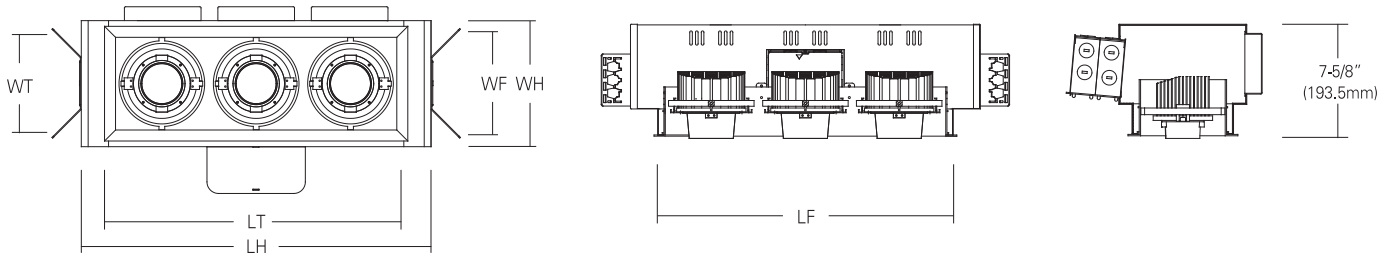


Catalog #		Type
Project		Date
Prepared by		

1, 2, 3 or 4 lights 30W & 40W LED

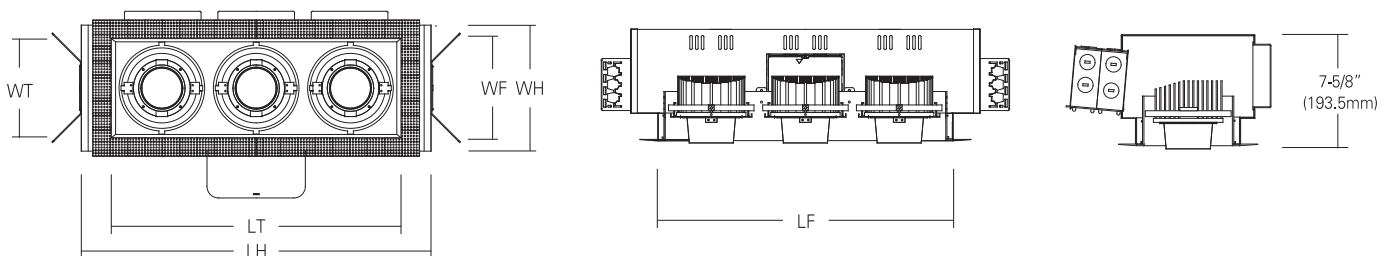
ACCENT MULTIPLE LIGHTS WITH HIGH WATTAGE LED MODULES

0.75" Trim Flange Dimension



No. of Lamps	Housing WH(Width) x LH(Length)	Trim WT(Width) x LT(Length)	Frame Opening WF(Width) x LF(Length)	Ceiling Cut-Out WC(Width) x LC(Length)
[1LN]	8-9/16" X 8-5/8" (218mm X 218.6mm)	7-13/16" X 7-13/16" (198mm X 198mm)	7-1/16" X 7-5/16" (179.5mm X 185.6mm)	7-1/2" X 7-9/16" (190.5mm X 192.1mm)
[2LN]	8-9/16" X 16-1/8" (218mm X 409.1mm)	7-13/16" X 14-3/16" (198mm X 361mm)	7-1/16" X 13-3/4" (179.5mm X 348.5mm)	7-1/2" X 13-15/16" (190.5mm X 354mm)
[3LN]	8-9/16" X 23-13/16" (218mm X 605.6mm)	7-13/16" X 20-5/8" (198mm X 524mm)	7-1/16" X 20-1/8" (179.5mm X 511.6mm)	7-1/2" X 20-3/8" (190.5mm X 517.5mm)
[4LN]	8-9/16" X 30-5/8" (218mm X 776.6mm)	7-13/16" X 27-1/16" (198mm X 687mm)	7-1/16" X 26-9/16" (179.5mm X 674.6mm)	7-1/2" X 26-13/16" (190.5mm X 681mm)

Trimless Dimension



No. of Lamps	Housing WH(Width) x LH(Length)	Trim WT(Width) x LT(Length)	Frame Opening WF(Width) x LF(Length)	Ceiling Cut-Out WC(Width) x LC(Length)
[1LN]	8-9/16" X 8-5/8" (218mm X 218.6mm)	6-3/4" X 6-15/16" (171mm X 174.6mm)	7-1/16" X 7-5/16" (179.5mm X 185.6mm)	7-1/2" X 7-9/16" (190.5mm X 192.1mm)
[2LN]	8-9/16" X 16-1/8" (218mm X 409.1mm)	6-3/4" X 13-5/16" (171mm X 337.6mm)	7-1/16" X 13-3/4" (179.5mm X 348.5mm)	7-1/2" X 13-15/16" (190.5mm X 354mm)
[3LN]	8-9/16" X 23-13/16" (218mm X 605.6mm)	6-3/4" X 19-11/16" (171mm X 500.6mm)	7-1/16" X 20-1/8" (179.5mm X 511.6mm)	7-1/2" X 20-3/8" (190.5mm X 517.5mm)
[4LN]	8-9/16" X 30-5/8" (218mm X 776.6mm)	6-3/4" X 26-1/8" (171mm X 663.6mm)	7-1/16" X 26-9/16" (179.5mm X 674.6mm)	7-1/2" X 26-13/16" (190.5mm X 681mm)

LED Multiple Recessed Luminaire

M-Series MCLD



Catalog #		Type
Project		Date
Prepared by		

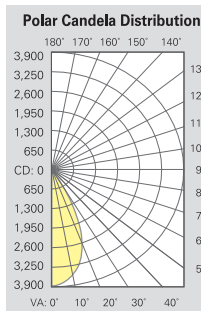
1, 2, 3 or 4 lights 30W & 40W LED

ACCENT MULTIPLE LIGHTS WITH HIGH WATTAGE LED MODULES

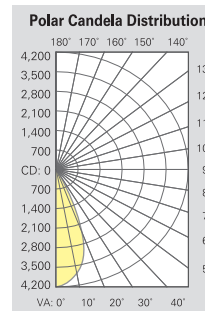
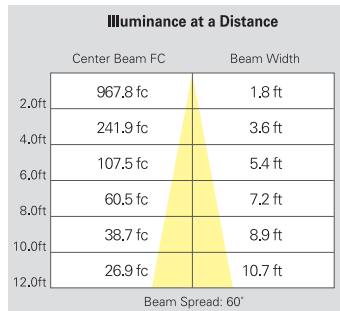
SPECIFICATION									
Wattage (+/-5%)	Type	Lumen (+/-5%)	Efficacy LPW (+/-5%)	Beam Angle	CRI (Typical)	LED Quantity	Color (+/-5%)	Lamp Life	Input Voltage
[30W]	35.0	N	2,517	72.0	28°	80	3000K	5 yrs.	120-277V
	34.9	M	2,534	72.6	36°				
	34.7	W	2,487	71.7	60°				
[40W]	45.9	N	2,749	60.0	28°	80	3000K	5 yrs.	120-277V
	45.8	M	2,759	60.3	36°				
	45.3	W	2,688	59.4	60°				

PHOTOMETRIC REPORT

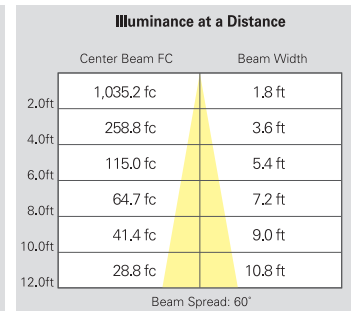
* Contact Factory for IES File



[MCLD-30W-Wide]



[MCLD-40W-Wide]



ORDERING INFORMATION

* Consult with factory for approved dimmers

Housing	No. of Light	Watt	CRI	CCT	Beam Angle	Trim Insert	Trim Interior Finish	Options
MCLD-M Multiple Cluster LED Recessed Downlight	1LN (1) Light	30 30W	8 80	27 2700K	N Narrow	OL 0.75" Trim Flange	WW White with White Flange	SNT Snoot
	2LN (2) Light	40 40W	9 90	30 3000K	M Medium	TL Trimless	BW Black with White Flange	LVR Louver
	3LN (3) Light			40 4000K	W Wide		SW Silver with White Flange	HCL Hex Cell Louver
	4LN (4) Light			50 5000K				LSN Linear Spread Lens LNS UV Lens ML Milk White Lens

*Consult with factory for custom finishes

Example : MCLD-M-1LN-40-830-M

- - - -

Example : OL-BW

-